

TURBINE FLOWMETERS BY HOFFER

Perfecting Measurement™



M.A. Selmon Company, Inc
4 Oxford Rd.
Milford, CT 06460
203-377-3525

PET SERIES

Digital to Analog Converter Mag Type
(for use with Lo-Co and TriFlo Series)

Product Bulletin PET-102C

TECHNICAL DATA SHEET

PRODUCT DESCRIPTION

The PET Series converter receives frequency input and converts it to a proportional 4-20mA or 0-10V analog output. It has been designed to fit a compact "ELBY" explosion-proof enclosure. The frequency range is field selectable to fit most applications. ZERO and SPAN adjustments make it easy to calibrate to almost any measurement range. This PET is designed for use with the Lo-Co Series and TriFlo Series flowmeters.

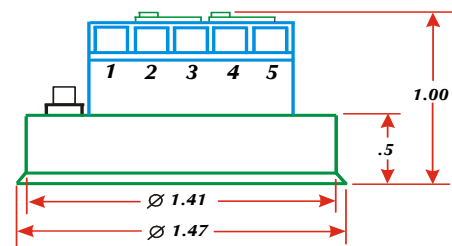
SPECIFICATIONS

Supply Voltage:	9 – 30 VDC.
Supply Current:	< 4.0 mA.
Input Protection:	100 VAC, reversed leads.
Output Protection:	Short to 0 VDC, Common or Signal out Continuous.
Frequency Input Range F:	Hi: max full scale 10 kHz. min full scale 1100 Hz. Lo: max full scale 1200 Hz. min full scale 75 Hz.
Input Sensitivity:	Standard 12 mVpp.
Linearity:	0.5% max., 0.15% typical.
Output Settling Time:	Full scale change to 95% of final value 100mS to 3 sec.
Output Ripple and Noise:	.2 mA max p-p, 1% of full scale. .02 mA typical, .01% of full scale.
Temperature Coefficient:	25° to 40°C, 0.13%/°C.
Operating Temp. Range:	-40° to +85°C (-40° to +185°F).
ZERO/SPAN Adjustment Interaction:	< 1%.
3 WIRE OUTPUT VERSION:	20 mA Range.
Minimum Output Current:	0.07 mA.
Maximum Output Current (Full Scale Min. Cal., Zero Cal. Set to 4 mA):	24.1 mA.
Load Resistance:	
<(+V - 6v)/ 20 mA output:	+V=12v: < 300 ohms. +V=24v: < 900 ohms.
Terminal Connections:	1. Input VDC. 4. Mag Pickup. 2. Common. 5. Mag Pickup. 3. Signal Out.
CE-Compliance:	EN55011, EN55022-2.

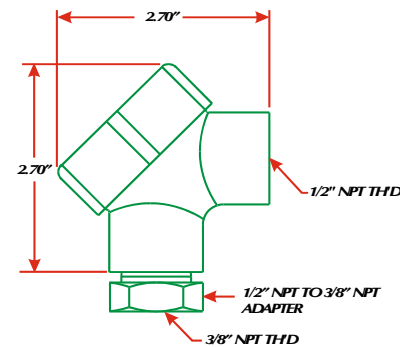
MODEL NUMBERS

PET-1	0 to 10 VDC analog output.
PET-3	4 to 20 mA analog output 3 wire.
PET-7	4 to 20 mA analog output 2 wire.

DIMENSIONAL INFORMATION

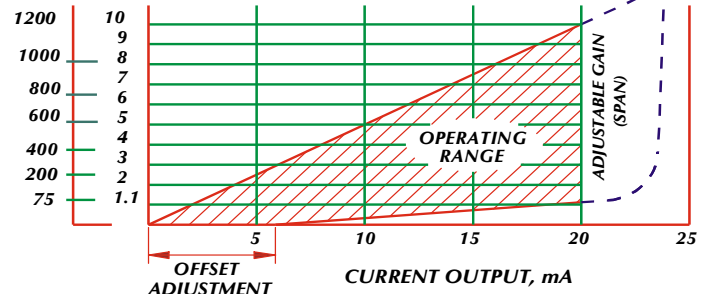


General Purpose



Explosion-Proof

FREQUENCY
INPUT RANGE
"LO"
Hz



Frequency Input vs. Current Output
Operating Range

ORDERING INFORMATION

PET- (A) - (B) - (C) - CE

OUTPUT

- 1 0 to 10 VDC Analog
- 3 4 to 20mA output 3 Wire Analog
- 7 4 to 20mA output 2 Wire Analog

ENCLOSURE

- 1 General Purpose
- 2 ELBY Type Explosion Proof Enclosure
 CLASS I DIV 1 & 2, GROUPS C & D
 CLASS II, DIV 1 & 2 GROUPS E, F & G
 CLASS III
 UL & CSA LISTED
 Not for use in ATEX or IEC classed areas. Single 1/2 " FNPT conduit connection.

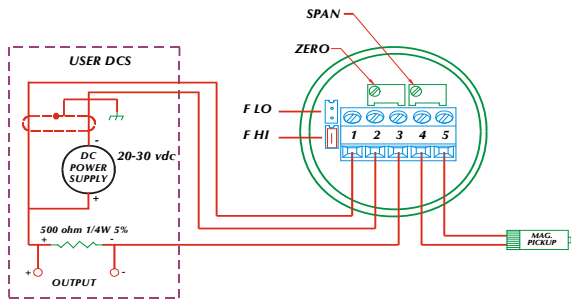
OPTIONS

- (X) None
- (1) 1/2" MNPT x 1" FNPT adapter for use with ELBY Enclosure to Mount to Standard 1" Flowmeter Riser

TYPICAL INSTALLATION WIRING

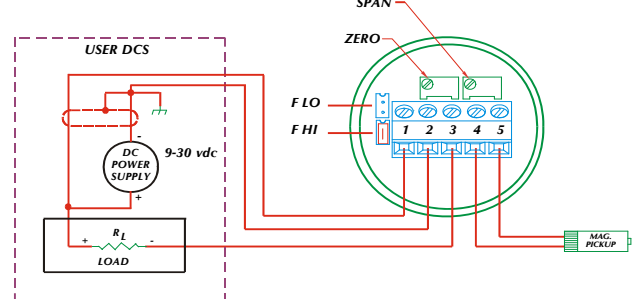
Model PET-1

0 - 10 VDC Analog Output



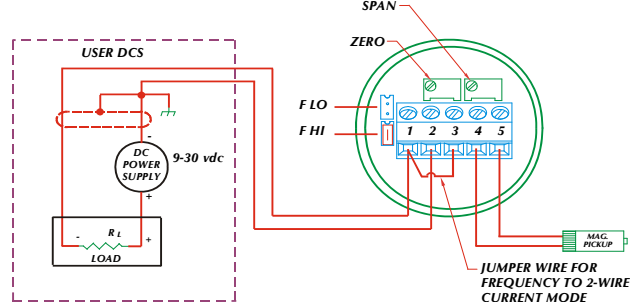
Model PET-3

4 - 20 mA Analog Output • Three Wire



Model PET-7

4 - 20 mA Analog Output • Two Wire



M.A. Selmon
 Company, Inc
 4 Oxford Rd.
 Milford, CT 06460
 203-377-3525

The quality system covering the design, manufacture and testing of our products is certified to International Standard ISO 9001.



The specifications contained herein are subject to change without notice and any user of said specifications should verify from the manufacturer that the specifications are currently in effect. Otherwise, the manufacturer assumes no responsibility for the use of specifications which may have been changed and are no longer in effect.