

V100-17-CAN CANbus Module

This guide provides specifications for Unitronics' communication module V100-17-CAN.

You can find additional information, such as wiring diagrams, in the product's installation guide located on the Unitronics' Setup CD and in the Technical Library at www.unitronics.com.

V100-17-CAN (CANbus module)

Use this CANbus module to create a decentralized control network using CAN protocols:

- CANopen: 127 controllers or external devices
- Unitronics' proprietary UniCAN: 60 controllers, (512 data bytes per scan)

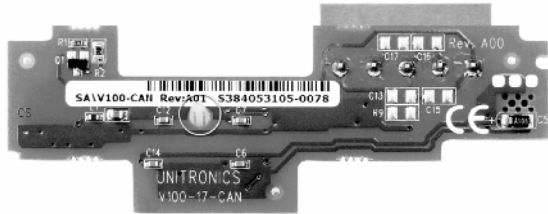
The CANbus port is galvanically isolated.

Standard Kit contents

V100-17-CAN

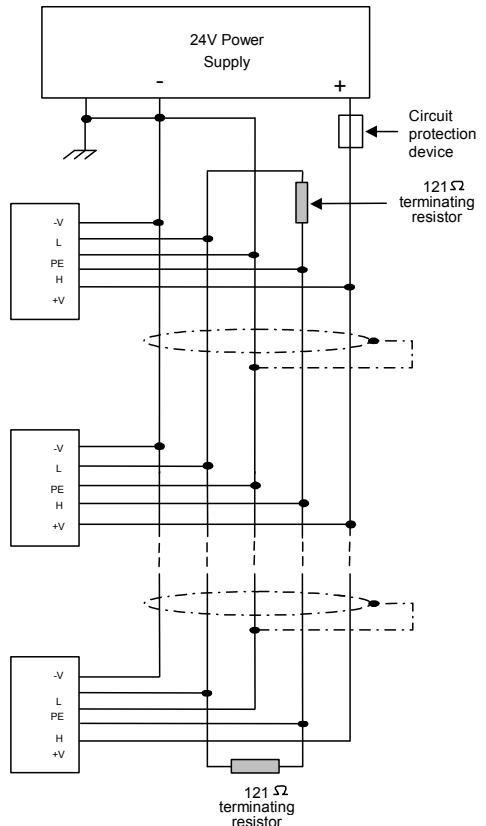
5-pin CANbus connector

Termination resistor

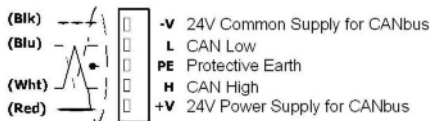


CANbus Wiring

- Network terminators. Place terminators at each end of the CANbus network
- Resistance must be set to 1%, 121Ω, 1/4W
- Connect ground signal to the earth at only one point, near the power supply
- The network power supply need not be at the end of the network



CANbus Connector



Distributed by:
M.A. Selmon Company, Inc
4 Oxford Rd.
Milford, CT 06460
203-377-3525

V100-17-CAN Technical Specifications

CANbus port	1	
Nodes	CANopen	Unitronics' CANbus protocols
	127	60
Power requirements	24VDC ($\pm 4\%$), 40mA max. per unit	
Galvanic isolation	Yes, between CANbus and controller	
Cable type	Twisted-pair; DeviceNet® thick shielded twisted pair cable is recommended.	
Cable length/ baud rate	25 m	1 Mbit/s
	100 m	500 Kbit/s
	250 m	250 Kbit/s
	500 m	125 Kbit/s
	500 m	100 Kbit/s
	1000 m*	50 Kbit/s
1000 m*	20 Kbit/s	* If you require cable lengths over 500 meters, contact technical support.
Weight	9.2g (0.32 oz)	

The information in this document reflects products at the date of printing. Unitronics reserves the right, subject to all applicable laws, at any time, at its sole

discretion, and without notice, to discontinue or change the features, designs, materials and other specifications of its products, and to either permanently or temporarily withdraw any of the foregoing from the market.

All information in this document is provided "as is" without warranty of any kind, either expressed or implied, including but not limited to any implied warranties of merchantability, fitness for a particular purpose, or non-infringement. Unitronics assumes no responsibility for errors or omissions in the information presented in this document. In no event shall Unitronics be liable for any special, incidental, indirect or consequential damages of any kind, or any damages whatsoever arising out of or in connection with the use or performance of this information.

The tradenames, trademarks, logos and service marks presented in this document, including their design, are the property of Unitronics (1989) (R"G) Ltd. or other third parties and you are not permitted to use them without the prior written consent of Unitronics or such third party as may own them

DSP-V100-17-CAN 12-07