

- Before using this product, the user must read and understand this document.
- For additional information regarding this product, refer to the Jazz™ user guide.
- All examples and diagrams are intended to aid understanding, and do not guarantee operation. Unitronics accepts no responsibility for actual use of this product based on these examples.
- Please dispose of this product according to local and national standards and regulations.
- Only qualified service personnel should open this device or carry out repairs.



Failure to comply with appropriate safety guidelines can cause severe injury or property damage.



- Do not attempt to use this device with parameters that exceed permissible levels.

Environmental Considerations



- Do not install in areas with: excessive or conductive dust, corrosive or flammable gas, moisture or rain, excessive heat, regular impact shocks or excessive vibration.



- Do not place in water or let water leak onto the unit.
- Do not allow debris to fall inside the unit during installation.

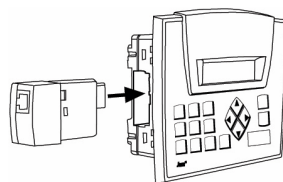
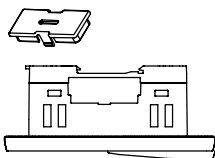
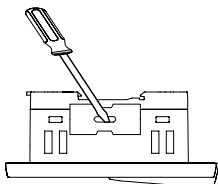
About the Program Cloner Add-on Module

The Program Cloner enables you to copy applications between Jazz™ OPLCs™. You plug the Cloner into the jack of a Jazz OPLC and then use Info Mode to:

- Copy the complete application, including the PLC Ladder program, HMI application, and OS into the Cloner. In addition, you can also copy certain current application values. You can find a list of these values in the Jazz user guide.
- Plug the Cloner into another Jazz OPLC and download the complete application

Installation and Removal

1. Remove the cover from the Jazz jack as shown in the first two figures below.
2. Position the Cloner so that the Cloner's pin receptacles are aligned with the pins in the Jazz jack as shown in the third figure below.
3. Gently slide the port into the jack until it snaps into place.
4. To remove the port, slide it out, and then re-cover the Jazz jack.

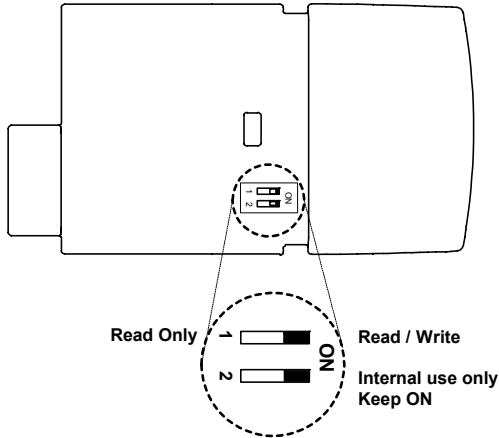


Distributed by:
M.A. Selmon Company, Inc
4 Oxford Rd.
Milford, CT 06460
203-377-3525

DIP Switch

There are two switches on the Cloner.

- 1: - ON enables you to both read from and write to the Cloner
- OFF enables you to apply write protection. This enables read-only
- 2: This switch is for factory use only. It is set in the ON position. Do not move it.



MJ20-MEM1 Technical Specifications

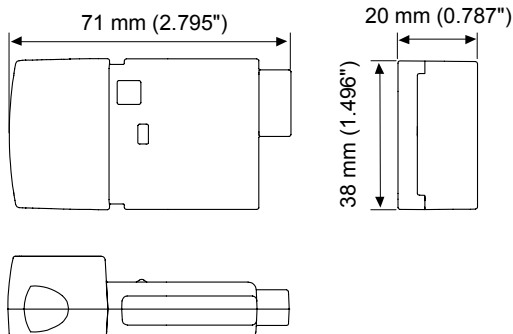
Memory

Memory type Flash

Environmental

Operating temperature 0° to 50°C (32° to 122°F)
Storage temperature -20° to 60° C (-4° to 140°F)
Relative Humidity (RH) 10% to 95% (non-condensing)

Dimensions



Weight

24g (0.85oz.)

The information in this document reflects products at the date of printing. Unitronics reserves the right, subject to all applicable laws, at any time, at its sole discretion, and without notice, to discontinue or change the features, designs, materials and other specifications of its products, and to either permanently or temporarily withdraw any of the foregoing from the market.

All information in this document is provided "as is" without warranty of any kind, either expressed or implied, including but not limited to any implied warranties of merchantability, fitness for a particular purpose, or non-infringement. Unitronics assumes no responsibility for errors or omissions in the information presented in this document. In no event shall Unitronics be liable for any special, incidental, indirect or consequential damages of any kind, or any damages whatsoever arising out of or in connection with the use or performance of this information.

The tradenames, trademarks, logos and service marks presented in this document, including their design, are the property of Unitronics (1989) (R'G) Ltd. or other third parties and you are not permitted to use them without the prior written consent of Unitronics or such third party as may own them.