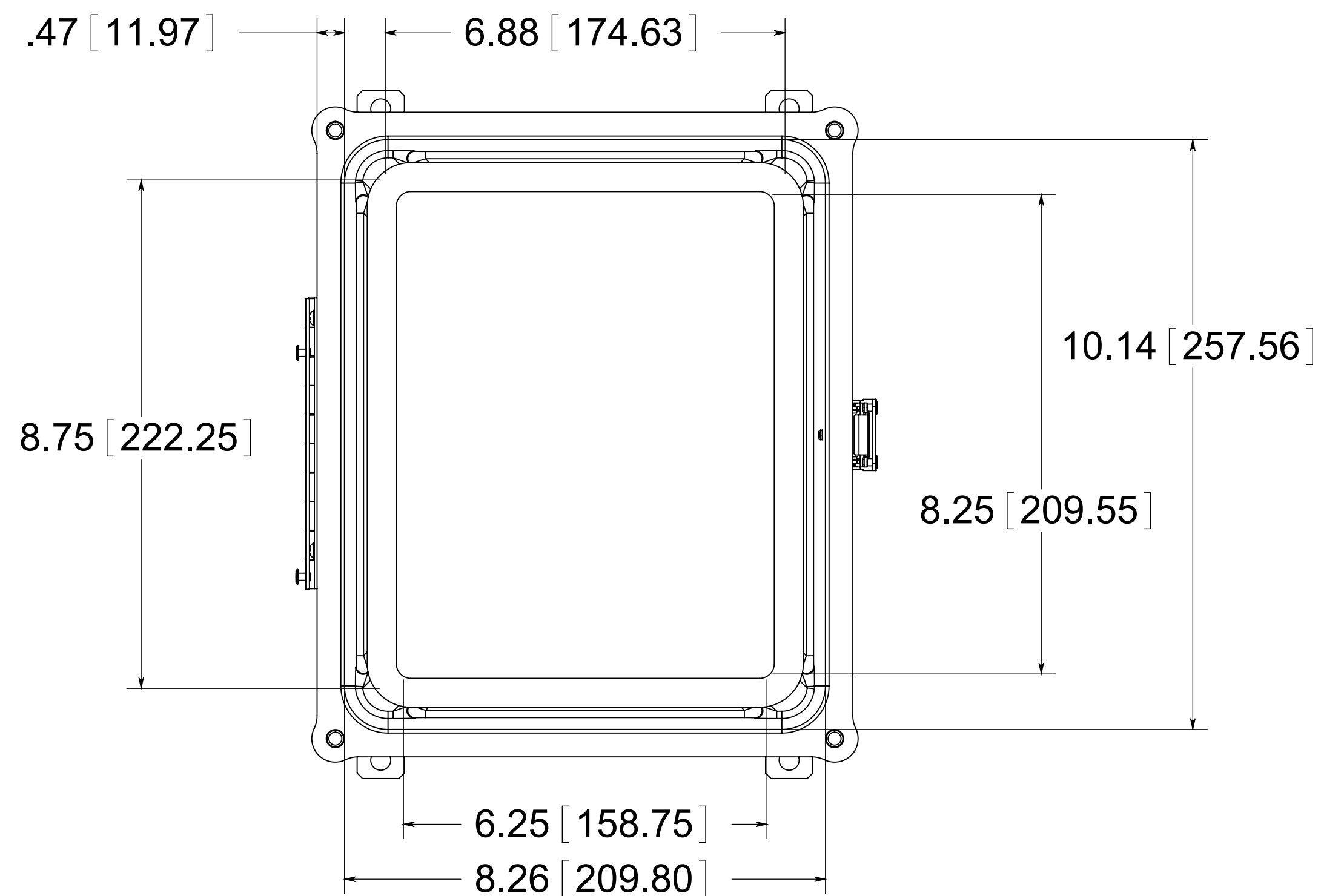



FRONT VIEW  
WITH COVER REMOVED  
AND BACK PANEL SHOWN



**MATERIAL:**  
BOX- COMPRESSION MOLDED FIBERGLASS REINFORCED POLYESTER  
COVER- COMPRESSION MOLDED FIBERGLASS REINFORCED POLYESTER  
WINDOWS- POLYCARBONATE

**CONFIDENTIAL**  
THIS MATERIAL IS OWNED BY THE ALLIED MOULDED PRODUCTS COMPANY, IS DISCLOSED IN CONFIDENCE, AND IS NOT TO BE REPRODUCED OR DISTRIBUTED WITHOUT PRIOR WRITTEN PERMISSION FROM ALLIED MOULDED PRODUCTS.

 ALLIED MOULDED PRODUCTS  
BRYAN, OHIO  
The Original Fiber Glass Outlet Box

Description  
**AM1086LW**

Part No.  
**AM1086LW**