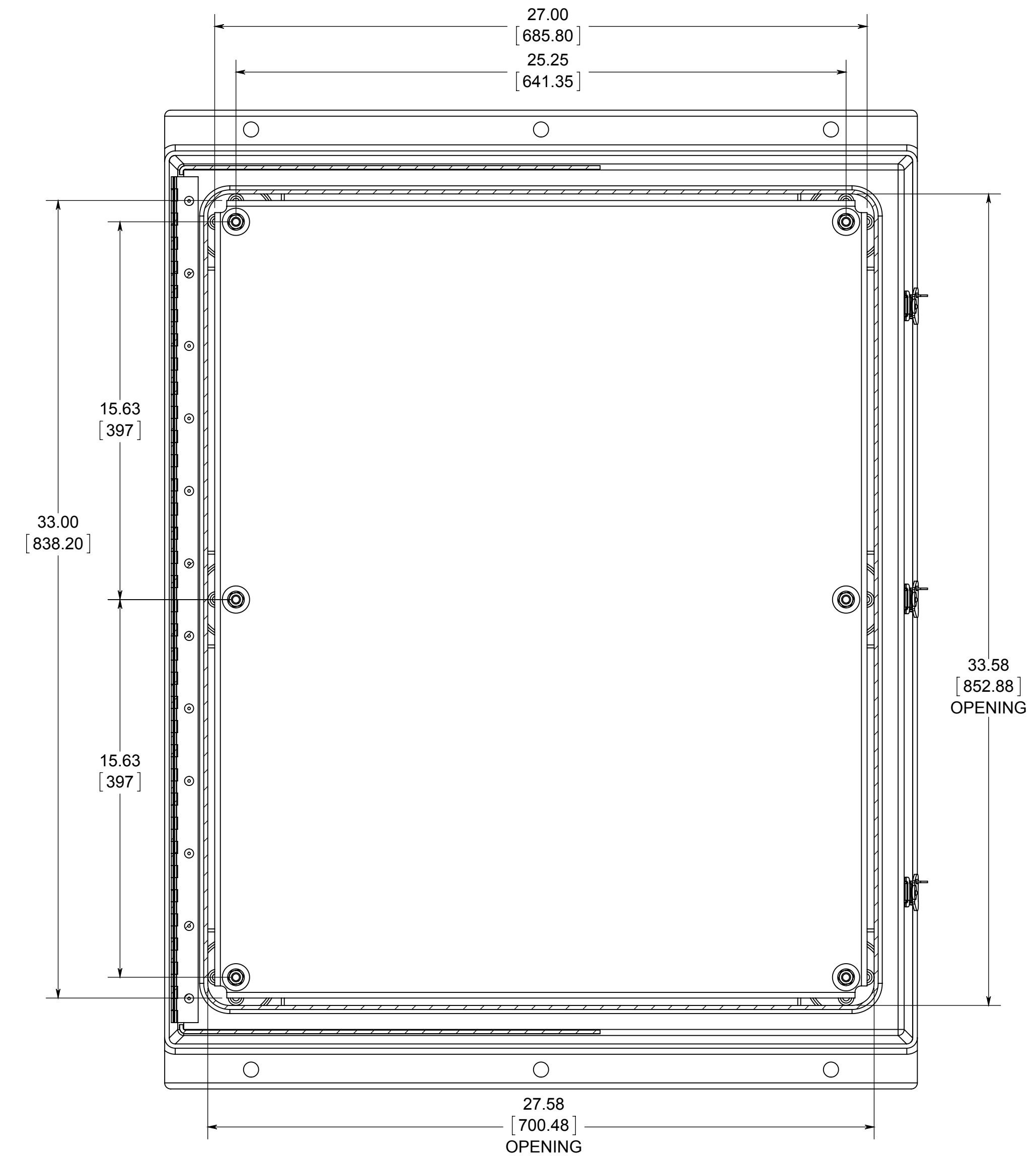
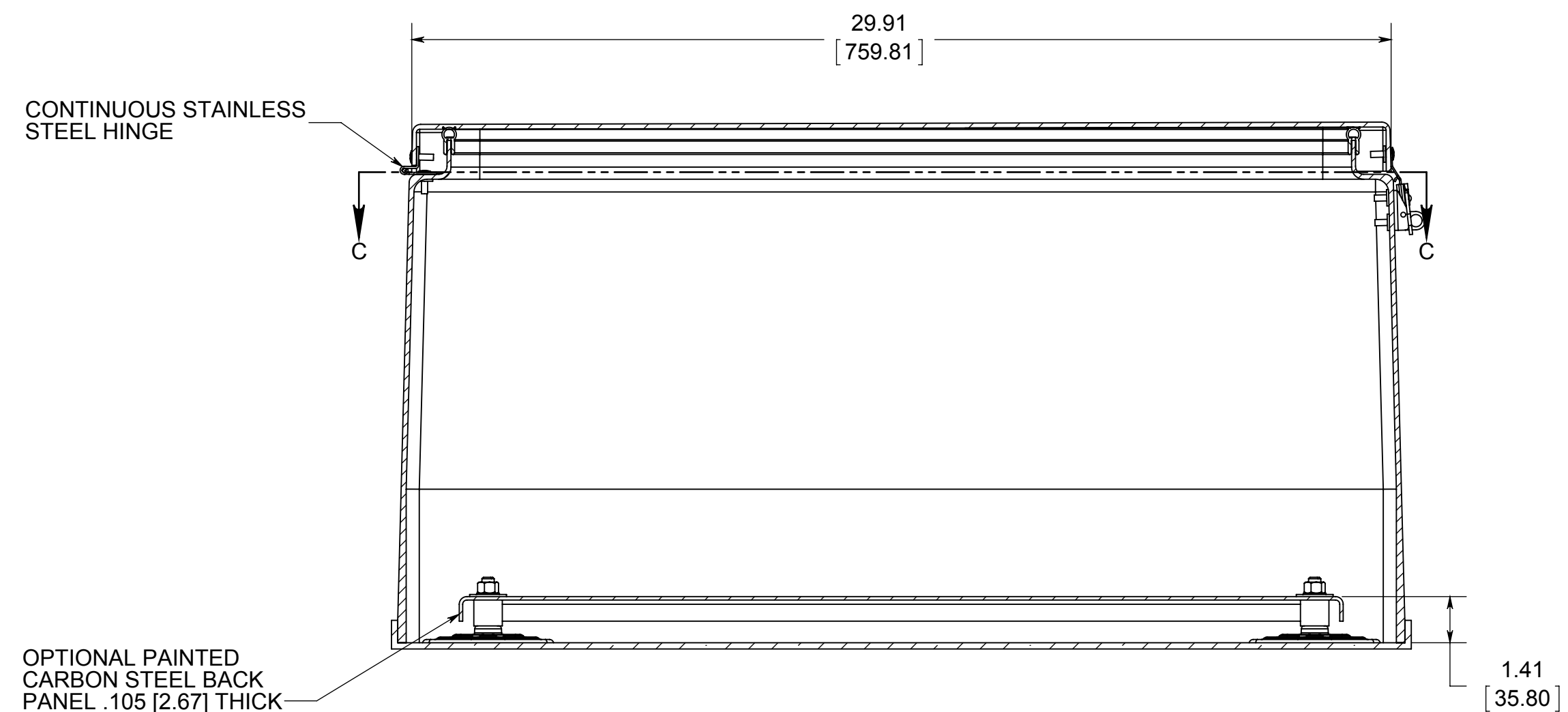


- STANDARD PVC SPACER
- STAINLESS STEEL 3/8-16x2 THREADED ROD
- STAINLESS STEEL 3/8 INT. TEETH LOCKING WASHER
- STAINLESS STEEL FLAT WASHER
- STAINLESS STEEL 3/8-16 HEX HEAD NUT (ALL TYP 6)

STAINLESS STEEL DRAW LATCH (PADLOCK PROVISIONED) AND KEEPER PLATE TYP 3



SECTION C-C
TOP VIEW WITH LID AND GASKET REMOVED



MATERIAL:
BOX- GEL-COAT, FIBERGLASS, RESIN
COVER- GEL-COAT, FIBERGLASS, RESIN
EDM GASKET SEAL

CONFIDENTIAL
THIS MATERIAL IS OWNED BY THE ALLIED MOULDED PRODUCTS COMPANY, IS DISCLOSED IN CONFIDENCE, AND IS NOT TO BE REPRODUCED OR DISTRIBUTED WITHOUT PRIOR WRITTEN PERMISSION FROM ALLIED MOULDED PRODUCTS.



Description
Empire
Part No.
AM363016L