

Temperature

Bi-Metallic Switch

Series ML1S

Features

- ▶ Bi-metallic sensor
- ▶ Compact design
- ▶ NEMA 4
- ▶ One piece design

Applications

- ▶ Air compressors
- ▶ Medical compressors
- ▶ Process equipment
- ▶ Water treatment
- ▶ Mining
- ▶ Machine tools and industrial equipment

Distributed by:
 M.A. Selmon Company, Inc
 4 Oxford Rd.
 Milford, CT 06460
 203-377-3525



General Specifications*

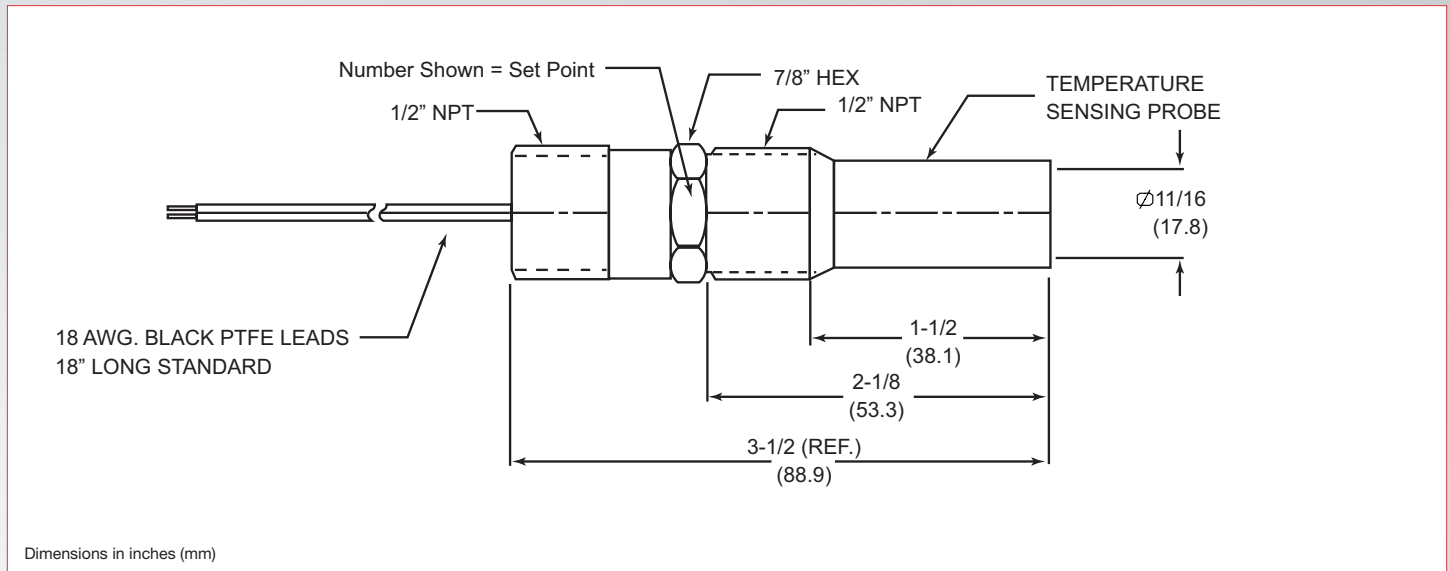
Accuracy:	See adjacent table
Switch:	SPST-NO or SPST-NC
Wetted Parts:	Brass
Electrical Connection:	18", 18 AWG PTFE free leads
Electrical Ratings:	15A @ 125 Vac; 10A @ 250 Vac
Enclosure/Housing	NEMA 4
Process Connection:	1/2" NPT
Conduit Connection:	1/2" NPT
Proof Pressure:	500 psi
Cycle Life:	100,000 cycles
Approvals:	CE qualified UL and CSA (cURus)
Temperature Range:	50°F - 300°F
Proof Temperature:	340°F
Warranty:	1 year
Weight:	0.15 lb.

Catalog Number	Set Point	Accuracy	Differential (Fixed) ¹
ML1S-50-I-C	50°F (Inc.)	± 10°F	27°F (15°C)
ML1S-70-I-C	70°F (Inc.)	± 10°F	27°F (15°C)
ML1S-75-I-C	75°F (Inc.)	± 10°F	27°F (15°C)
ML1S-125-I-C	125°F (Inc.)	± 10°F	18°F (10°C)
ML1S-130-I-C	130°F (Inc.)	± 10°F	18°F (10°C)
ML1S-165-I-C	165°F (Inc.)	± 10°F	18°F (10°C)
ML1S-200-I-C	200°F (Inc.)	± 10°F	18°F (10°C)
ML1S-235-I-C	235°F (Inc.)	± 10°F	18°F (10°C)
ML1S-275-I-C	275°F (Inc.)	± 10°F	27°F (15°C)
ML1S-300-I-C	300°F (Inc.)	± 13°F	36°F (20°C)
ML1S-75-D-C	75°F (Dec.)	± 10°F	27°F (15°C)
ML1S-130-D-C	130°F (Dec.)	± 10°F	18°F (10°C)
ML1S-200-D-C	200°F (Dec.)	± 10°F	18°F (10°C)

¹ Differential depends on service conditions and test methods

* See product configurator for additional options.

Technical Drawing



Product Configurator

Example	ML	1	S	-130	-I	-C	-W36
---------	----	---	---	------	----	----	------

Prefix

ML Miniature local thermowell

Switch

1 Single SPST switch point

Housing

S Stripped model

Setpoint*

-50	50°F setpoint
-70	70°F setpoint
-75	75°F setpoint
-125	125°F setpoint
-130	130°F setpoint
-165	165°F setpoint
-200	200°F setpoint
-235	235°F setpoint
-275	275°F setpoint
-300	300°F setpoint

Option

-WXXX Extra wire length
(XXX = inches)

Contact Form

-O	Normally open
-C	Normally closed

Set Point Direction

-D	Decreasing (falling) temperature
-I	Increasing (rising) temperature

* NOTE:

Consult factory for ranges not listed.

Minimum order quantity - 20 pieces for non-standard ranges.

Ranges specified in 5° increments. Example: -250 = 250°F