

**NEK
COMPACT CONDUCTIVE LEVEL SWITCH**



Flow
Pressure
Level
Temperature
measurement
monitoring
control

N1



- **Compact Design**
- **No Moving Parts**
- **Excellent for Dirty, Low Viscosity or Aggressive Liquids**
- **Transistor Switch or Relay Outputs Available**
- **Ryton or Polypropylene Bodies**



USA

M.A. Selmon Company, Inc.
40 Hathaway Drive
Stratford, CT 06615
Ph. 203-377-3525 Fax 203-377-5238
sales@maselmon.com

Model:
NEK



Features

- Compact Design
- No Moving Parts
- Excellent For Dirty, Low Viscosity or Aggressive Liquids
- Transistor Switch or Relay Outputs Available
- Ryton or Polypropylene Bodies

The NEK series compact conductive level switch is an excellent choice for monitoring the level of conductive liquids in tanks. The NEK series conductive level switch senses liquid level by applying a low AC voltage to a set of stainless steel electrodes. When a conductive liquid is present a small current will flow between the electrodes, resulting in switch activation. The NEK compact level switch is available with either a Ryton or polypropylene body with 316-Ti stainless steel electrodes standard. This makes the NEK suitable for many chemicals and aggressive media. The solid state design has no moving parts so the NEK is also a sure bet for dirty liquids as well as those with high solids content.

Specifications

Wetted Materials:

Housing: Ryton or polypropylene
Electrodes: 316-Ti SS

Maximum Pressure:

Ryton: 290 PSIG
Polypropylene: 85 PSIG

Temperature Range:

Ryton: -10 to 176°F
Polypropylene: -10 to 140°F

Minimum Liquid Conductivity:

28 μS/cm

Switching Delay:

0.5 sec

Power Requirements:

18-32 VDC

Switch Characteristics

Open Collector: Normally open (dry), PNP or NPN depending on model number, 30 VDC, 100 mA, short circuit protected

SPDT Relay: 1 Amp max. @ 24 VDC

Electrical Protection:

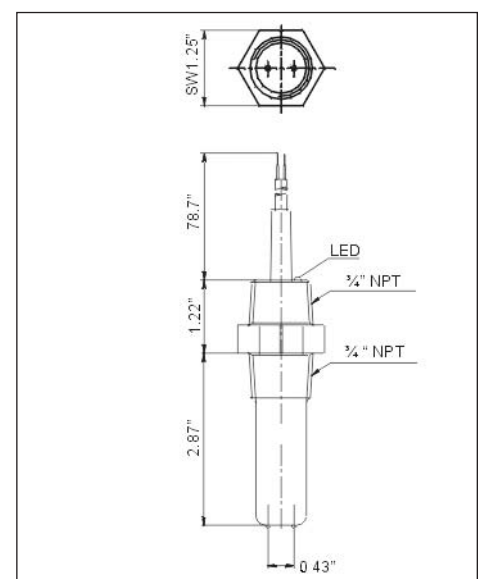
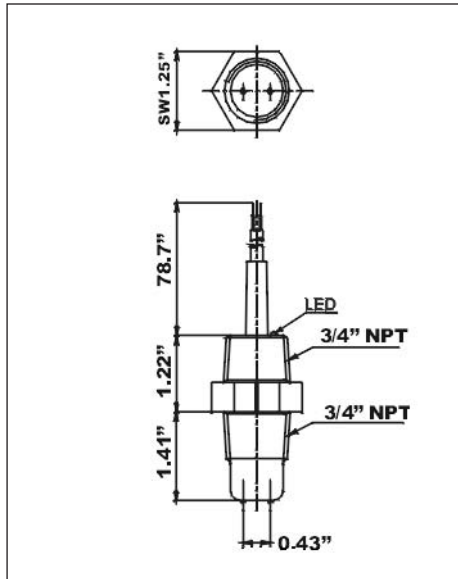
NEMA 6/IP67



NEK Series Compact Conductive Level Switch

1-1/2" Immersion Length

3" Immersion Length



Ordering Information

Immersion Length	Switch Type	Body Material		Fitting	Electrical Connection
		Ryton	Polypropylene		
1-1/2"	NPN open collector	NEK-1136	NEK-1236	N20=3/4"NPT	C = 6 ft. PVC Cable
	PNP open collector	NEK-2136	NEK-2236		
	SPDT Relay	NEK-3136	NEK-3236		
3"	NPN open collector	NEK-1173	NEK-1273		
	PNP open collector	NEK-2173	NEK-2273		
	SPDT Relay	NEK-3173	NEK-3273		

Subject to change without prior notice.